

# PS-35C18J | Eco Series

## 5MP HD Analog High Speed Dome (18X)



- 1/2.7" 5MP low light CMOS
- Max 25/30fps@5MP
- AHD/TVI/CVI/CVBS video output
- Support up to 18X optical zoom
- IP66
- DWDR/BLC/2D&3D noise reduction



## System Overview

The Eco series is a range of competitive PTZ with a sturdy design.

The series is an ideal choice for industrial solutions, such as buildings, factories, schools, which are designed for indoor and outdoor environments.

With the pan speed up to 200°/s, and tilt speed up to 200°/s, the series guarantees extensive video coverage and secured details. Besides, it's equipped with a cutting-edge IR array LED of up to 100m and rugged casing rated with IP66.

## Functions

### Advanced 4 in 1 technology

Dome cameras of the series are equipped with built-in 4-in-1 technology and UTC chipset on board supporting the flexible adjustment of HD analog signal output, such as AHD/TVI/CVI/CVBS. The Eco series might be the final solution for true plug-n-play to work with any brand of HD analog DVR seamlessly.

### Harsh conditions

ZKTeco PTZ cameras could generally run in a harsh environment and operate under the temperature range from -20°C to 60°C with 95% humidity.

## Technical Parameters

### Camera

|              |                           |
|--------------|---------------------------|
| Model        | PS-35C18J                 |
| Image Sensor | 1/2.7" 5MP Low light CMOS |
| Lens         | 18X f=5.35mm ~ 93.6mm     |
| FOV          | 55.2°(W) to 3.2°(T)       |

|                    |                                    |
|--------------------|------------------------------------|
| Scanning System    | Progressive                        |
| Electronic Shutter | 1/25s - 1/50,000s                  |
| Min. illumination  | 0.1Lux/F2.0 (color), 0 Lux with IR |
| IR Distance        | Up to 100 meters                   |

### Video

|                   |                          |
|-------------------|--------------------------|
| Resolution        | 5MP(2592x1944)           |
| Flip              | 90°                      |
| Privacy Mask      | Up to 4 areas            |
| Baud Rate (RS485) | 2400/4800/9600/19200 bps |
| BLC               | Supported                |

|                 |                                  |
|-----------------|----------------------------------|
| WDR             | DWDR                             |
| Day/Night       | Auto(ICR)/Color/B/W              |
| White Balance   | Auto / Manual / Indoor / Outdoor |
| Gain Control    | Auto                             |
| Noise Reduction | 2D & 3D DNR                      |

### Interface

|                 |   |
|-----------------|---|
| Video Interface | 1 |
| RS485           | 1 |

|           |     |
|-----------|-----|
| Alarm I/O | N/A |
|-----------|-----|

### P/T

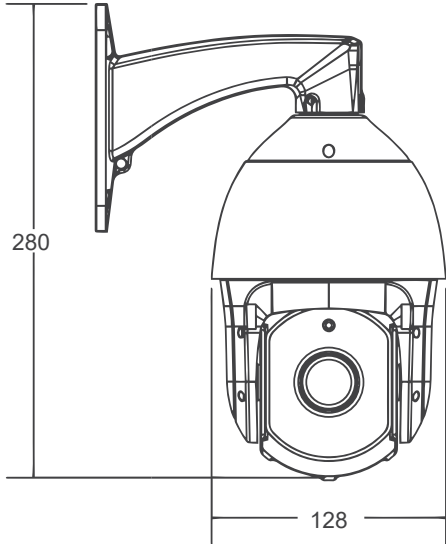
|                |  |
|----------------|--|
| Pan/Tilt Range | Pan: 0°~360° , Tilt: 0°~90°  |
| Pan Speed      | 0~200°/s   |
| Tilt Speed     | 0~200°/s   |
| Preset         | 128  |
| Preset Speed   | 200°/S   |
| PTZ Mode       | 4 Scan, 4 Tour, 4 Pattern  |
| Idle Motion    | Activate preset/Scan/<br>Tour if there is no command in specified period |
| Protocol       | Pelco-D, Pelco-P   |

|                      |                    |
|----------------------|--------------------|
| Ingress Protection   | IP66               |
| Working Environment  | -20°C ~ 60°C       |
| Power Supply         | DC24V/1.5A         |
| Lightning Protection | EDS 4000V          |
| OSD Menu             | Supported          |
| Default Bracket      | Wall mount         |
| Dimensions           | Φ280(mm) × 128(mm) |
| Net Weight           | 2.1kg              |
| Gross Weight         | 2.6kg              |

Ordering Information

| Type           | Part Number | Description            |
|----------------|-------------|------------------------|
| 5MP PTZ Camera | PS-35C18J   | 5MP HD analog PTZ, 18x |

Dimensions (mm)



Accessories

Included:



Wall Mount



DC24V/1.5A

Optional:



PB04  
Pendant Mount

| Wall Mount | Pendant Mount |
|------------|---------------|
| Default    | PB04          |
|            |               |

