

PL-32C33D | Pro Series

1080p HD Analog High Speed Dome (33X)



- 1/2.8" 1080p Starlight SONY CMOS
- Max 25/30fps@1080P
- AHD/TVI/CVI/CVBS video output
- Support up to 33X optical zoom
- IP66
- DWDR/BLC/2D&3D noise reduction

2MP

3D
DNR



IP66

System Overview

The Pro series is a range of competitive PTZ with a sturdy design.

The series is an ideal choice for industrial solutions, such as buildings, factories, schools, which are designed for indoor and outdoor environments.

With the pan speed up to 200°/s and tilt speed up to 180°/s, the series guarantees extensive video coverage and secured details. Besides, it's equipped with a cutting-edge IR array LED of up to 120m and rugged casing rated with IP66.

Functions

Advanced 4 in 1 technology

Dome cameras of the series are equipped with built-in 4-in-1 technology and UTC chipset on board supporting the flexible adjustment of HD analog signal output, such as AHD/TVI/CVI/CVBS. The Pro series might be the final solution for true plug-n-play to work with any brand of HD analog DVR seamlessly.

Harsh conditions

ZKTeco PTZ cameras could generally run in a harsh environment and operate under the temperature range from -20°C to 60°C with 95% humidity.

Technical Parameters

Camera

Model	PL-32C33D
Image Sensor	1/2.8" 1080p Starlight SONY CMOS
Lens	33X f=4.6mm ~ 152mm
FOV	66.1°(W)~2.46°(T)

Scanning System	Progressive
Electronic Shutter	1/25s - 1/50,000s
Min. illumination	0.1Lux/F2.0 (color), 0 Lux with IR
IR Distance	Up to 120 meters

Video

Resolution	1080P (1920x1080)
Flip	90°
Privacy Mask	Up to 4 areas
Baud Rate (RS485)	2400/4800/9600/19200 bps
BLC	Supported

WDR	DWDR
Day/Night	Auto(ICR)/Color/B/W
White Balance	Auto / Manual / Indoor / Outdoor
Gain Control	Auto
Noise Reduction	2D & 3D DNR

Interface

Video Interface	1
RS485	1

Alarm I/O	N/A
-----------	-----

P/T

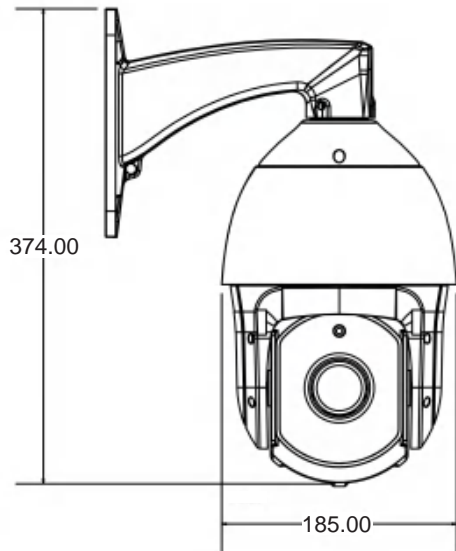
Pan/Tilt Range	Pan: 0°~360° , Tilt: 0°~90°
Pan Speed	0~200°/s
Tilt Speed	0~180°/s
Preset	128
Preset Speed	200°/S
PTZ Mode	4 Scan, 4 Tour, 4 Pattern
Idle Motion	Activate preset/Scan/ Tour if there is no command in specified period
Protocol	Pelco-D, Pelco-P

Ingress Protection	IP66
Working Environment	-20°C ~ 60°C
Power Supply	DC24V/2A
Lightning Protection	EDS 4000V
OSD Menu	Supported
Default Bracket	Wall mount
Dimensions	185(mm) × 374(mm)
Net Weight	6.5kg
Gross Weight	7kg

Ordering Information

Type	Part Number	Description
2MP PTZ Camera	PL-32C33D	2MP HD analog PTZ, 33x

Dimensions (mm)



Accessories

Included:



Optional:

